

AMULET MANUFACTURING COMPANY, INC.

ENGINEERING DEPT.

BUCKET TEETH

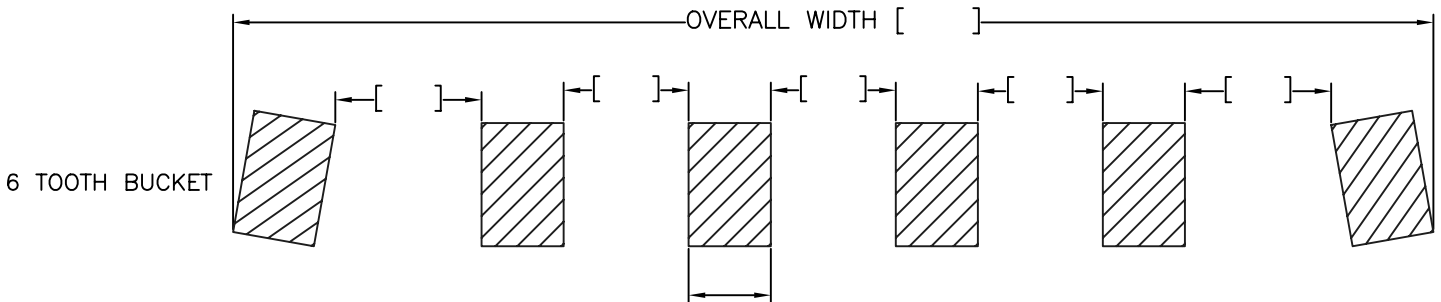
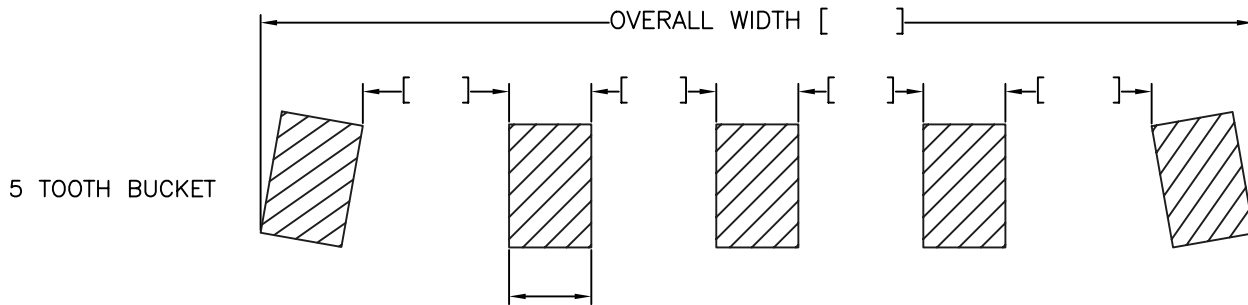
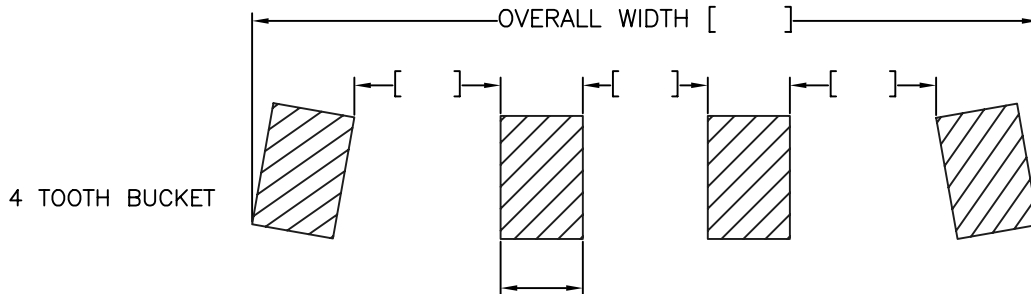
MACHINE MODEL _____
 BUCKET MANUFACTURER _____
 BUCKET MODEL NO _____
 BUCKET SERIAL NO _____

BUCKET WIDTH _____
 # OF TEETH _____
 TODAY'S DATE _____
 COMPLETED BY _____

*PLEASE CHOOSE THE APPROPRIATE SKETCH
 AND FILL IN ALL THE DIMENSIONS*

*MEASURE TOOTH AT WIDEST POINT, MEASURE SPACE BETWEEN
 TEETH AT THE NARROWEST POINT.*

NOTE: IF YOUR BUCKET TEETH DIFFER SIGNIFICANTLY FROM
 THIS DRAWING, PLEASE SKETCH YOUR BUCKET TEETH AND
 ADD THE DIMENSIONS SHOWN.



OPERATOR'S VIEW OF BUCKET TEETH