

AMULET MANUFACTURING COMPANY, INC.

ENGINEERING DEPT.

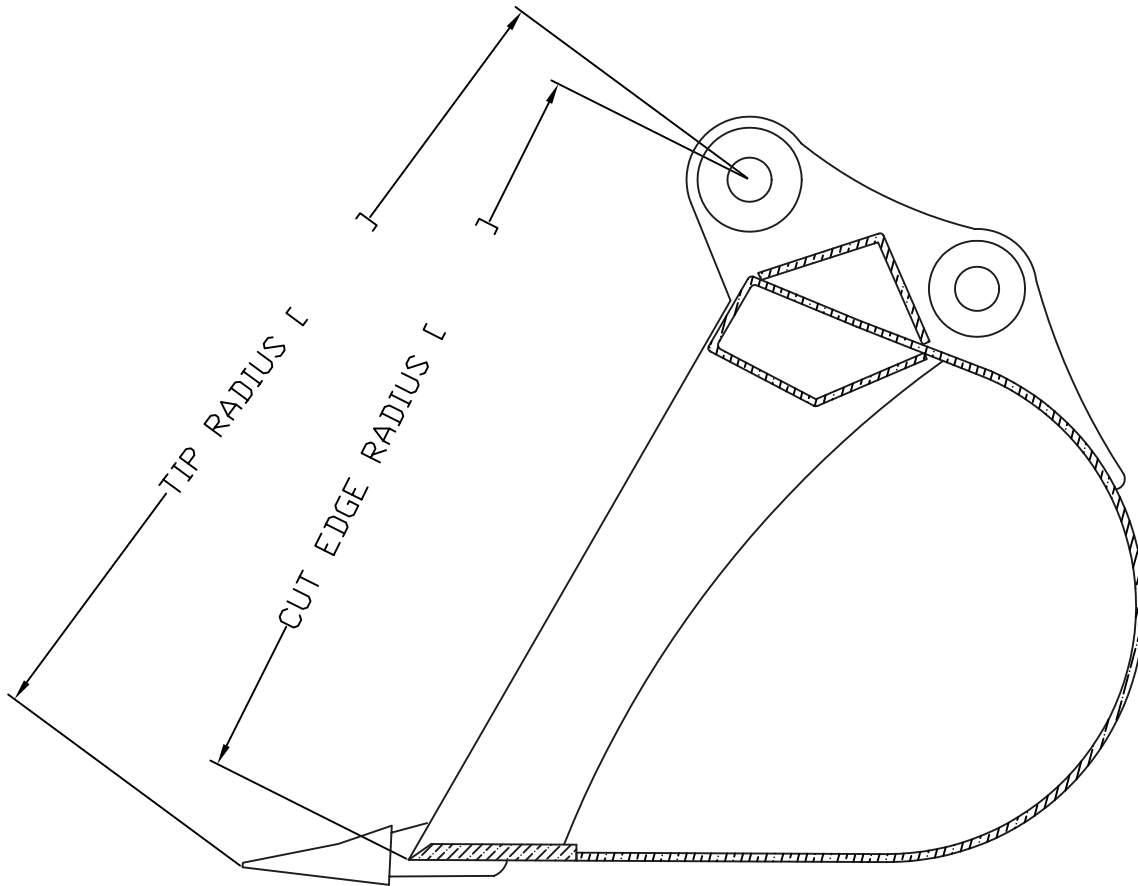
BUCKET PROFILE

MACHINE MODEL _____
 BUCKET MANUFACTURER _____
 BUCKET MODEL NO _____
 BUCKET SERIAL NO _____

BUCKET WIDTH _____
 # OF TEETH _____
 TODAY'S DATE _____
 COMPLETED BY _____

PLEASE FILL IN ALL DIMENSIONS FOR YOUR BUCKET.

NOTE: IF YOUR BUCKET PROFILE DIFFERS SIGNIFICANTLY FROM THIS DRAWING, PLEASE SKETCH YOUR BUCKET PROFILE AND ADD THE DIMENSIONS SHOWN.



BUCKET SIDE VIEW